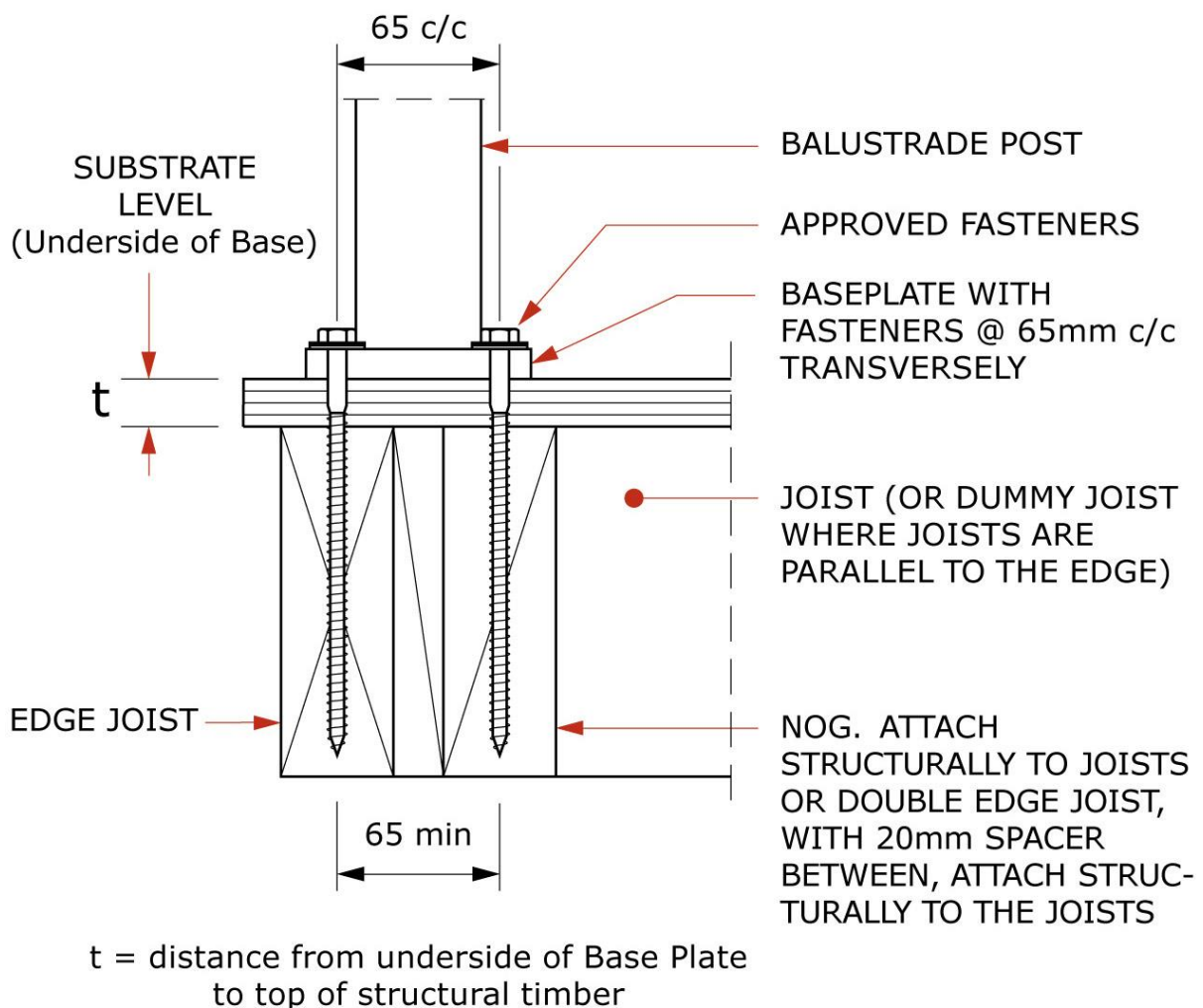
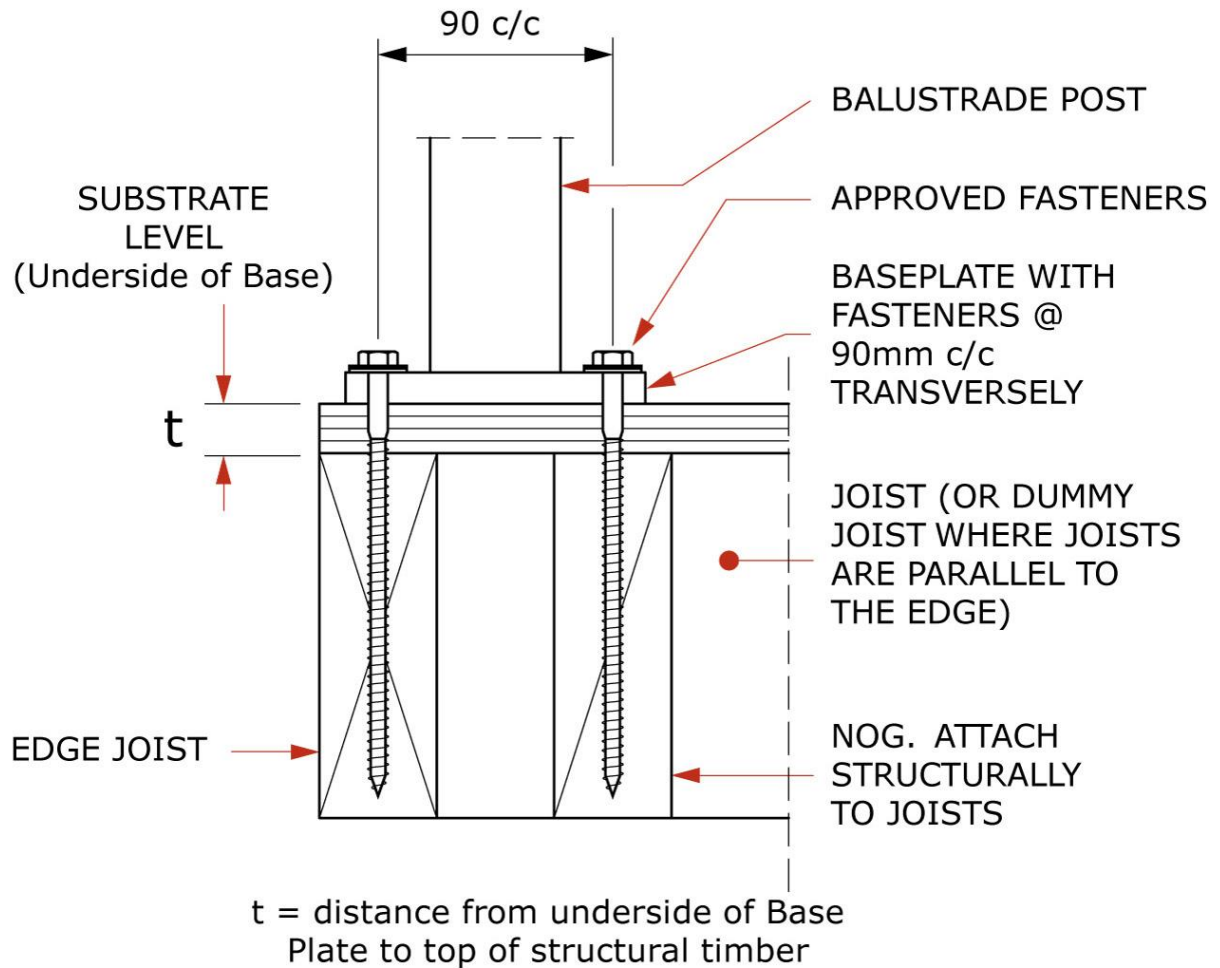


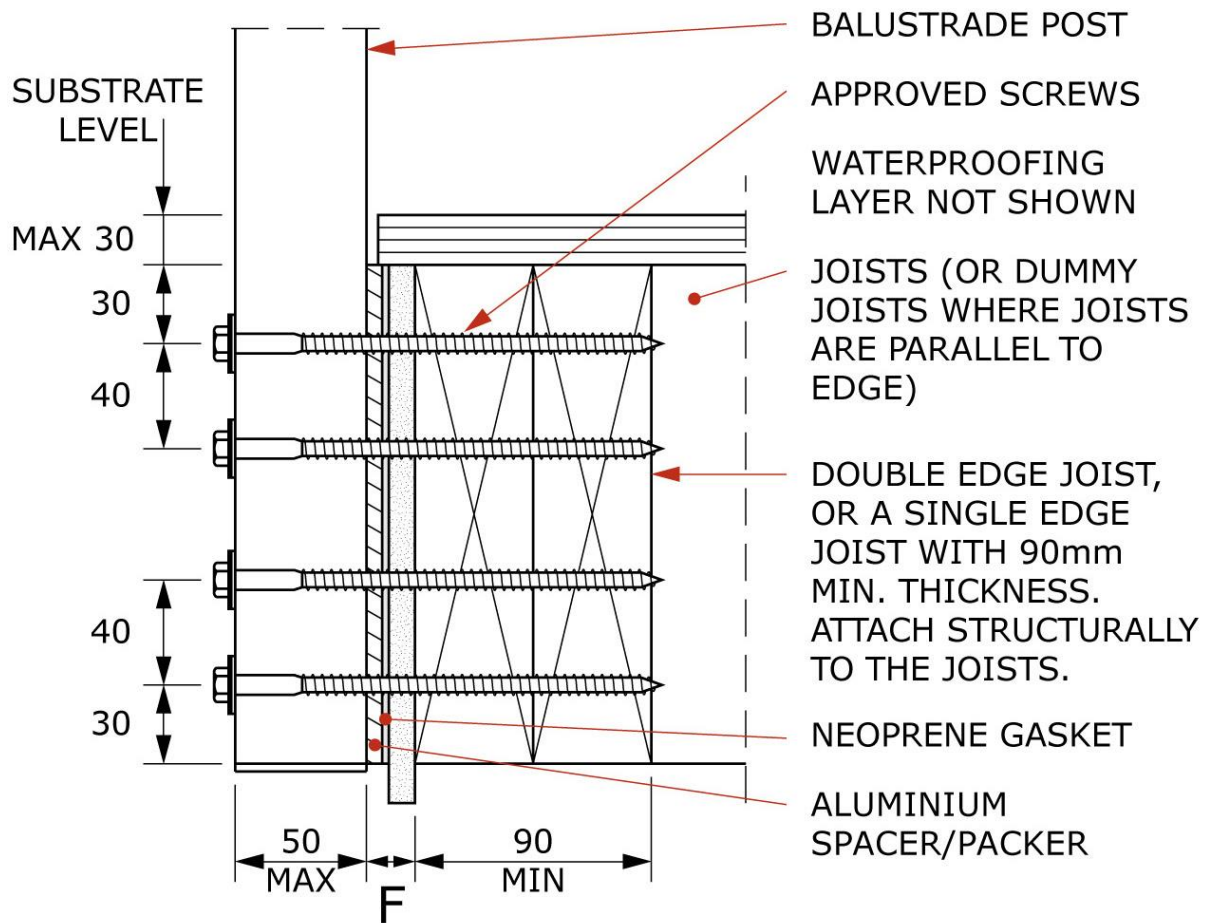
# DRY TIMBER FIXING METHODS



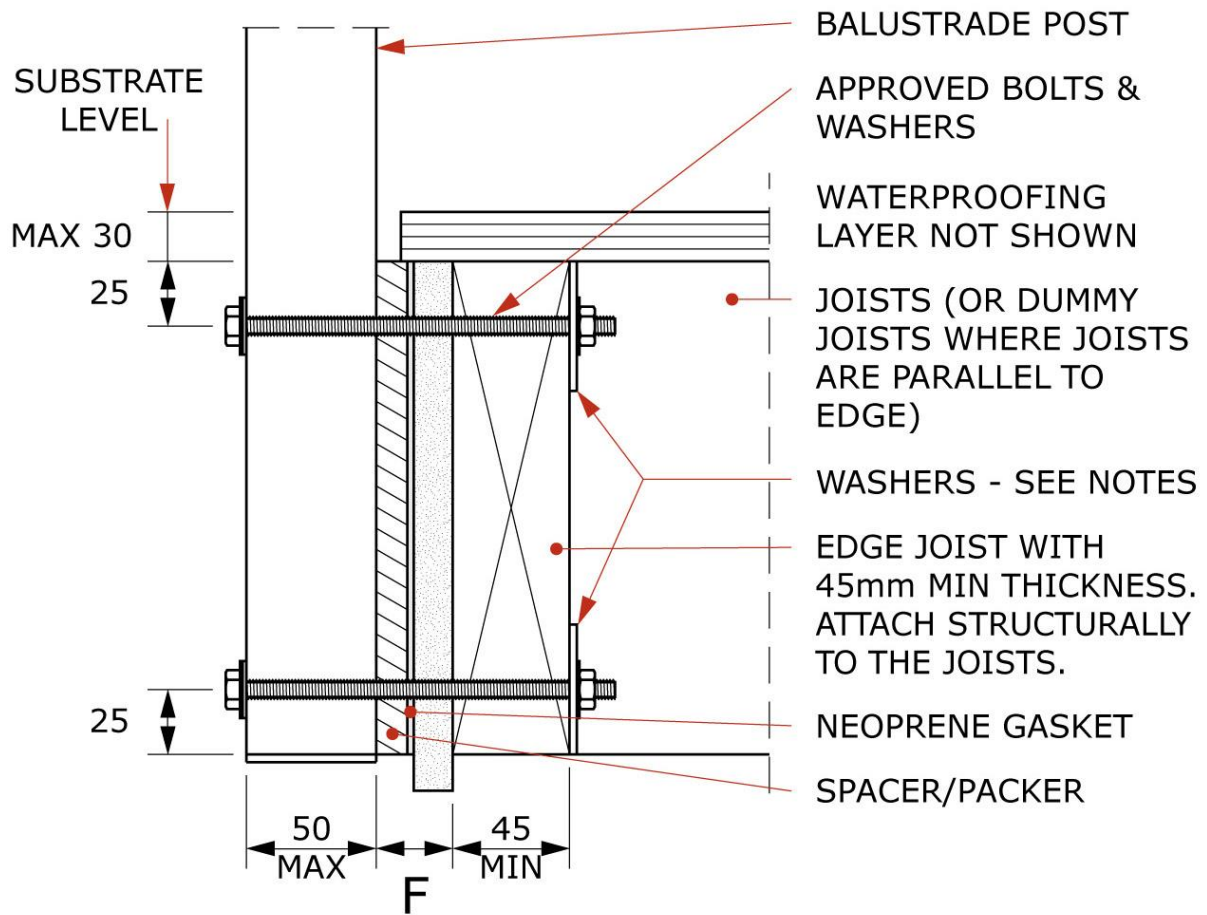
Dry Timber, Top Fix, 65mm-CRS



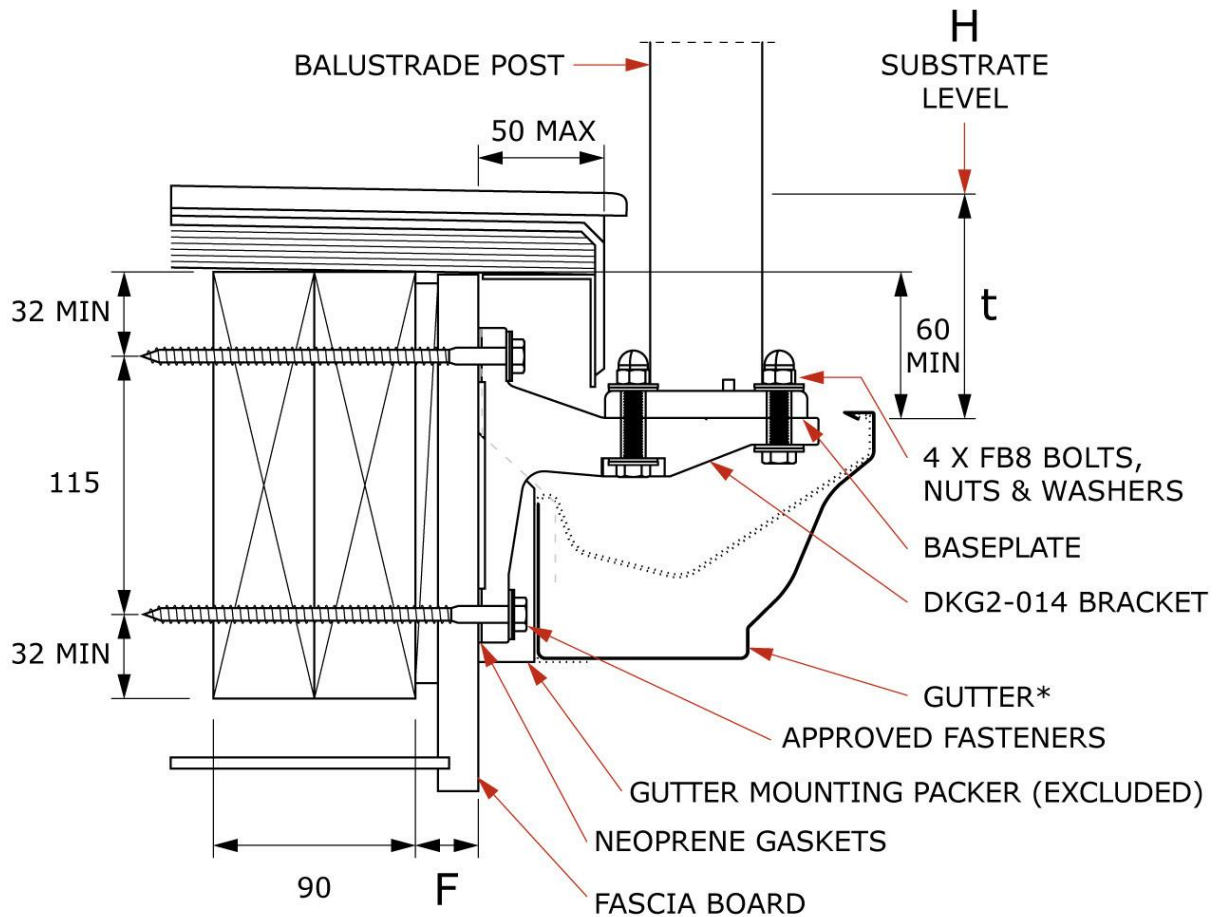
## Dry Timber, Top Fix, 90mm-CRS



## Dry Timber, Side Fix, 90mm-Edge Joist

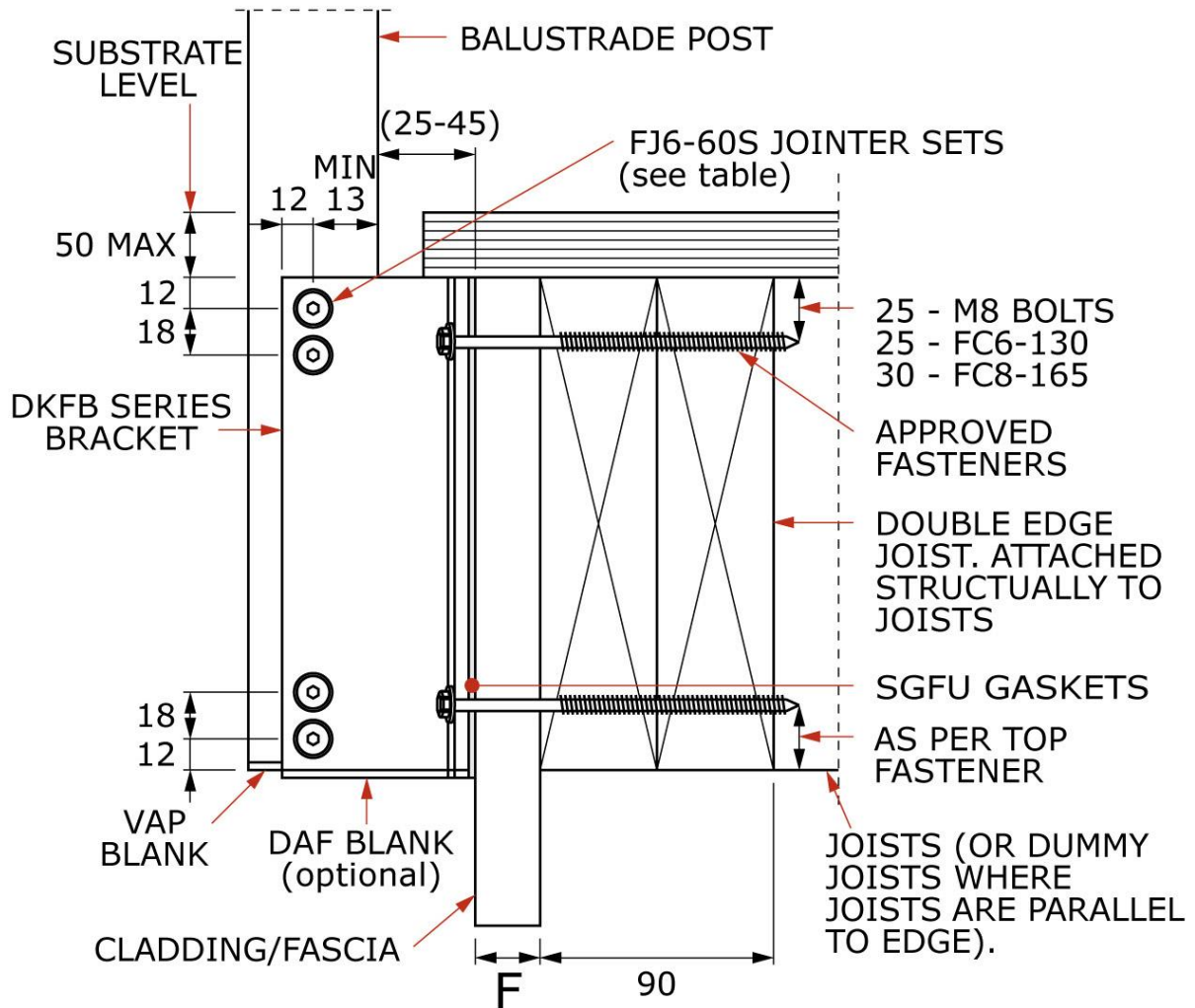


## Dry Timber, Side Fix, Bolts

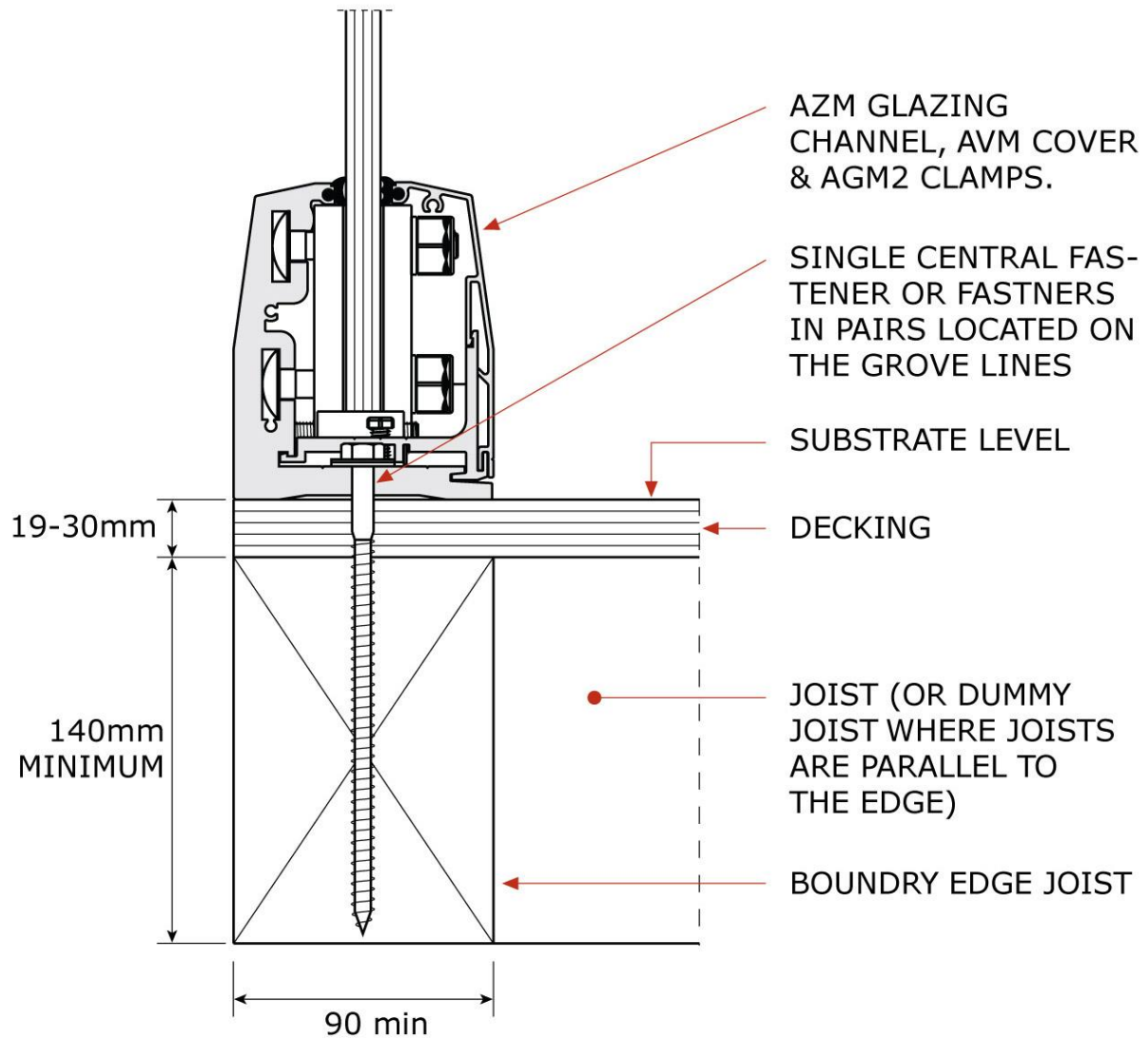


\*Gutter and associated clips flashings and packers are not supplied by the Unex Systems or the balustrade installer. Additional flashings may be required for water deflection in some cases. Gutter profile illustrated is "150mm O/G" from "Continuous Spouting", for more information on supplier visit [www.cspout.co.nz](http://www.cspout.co.nz). Other gutter profiles may be used. We do not recommend using copper gutters with this detail.

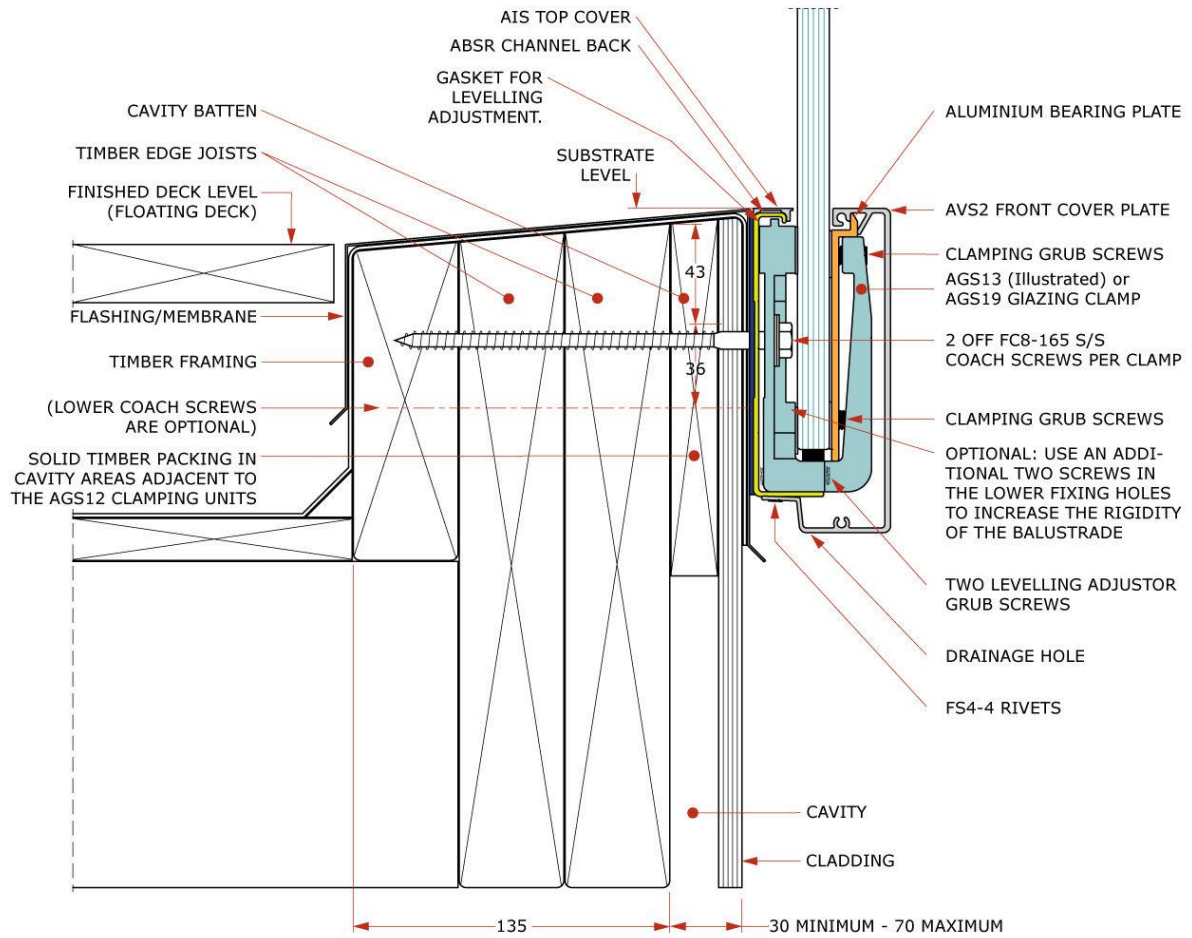
## Dry Timber DKG2 Fix, 90mm Edge Joist



Dry Timber DKFB Fix, 90mm Edge Joist

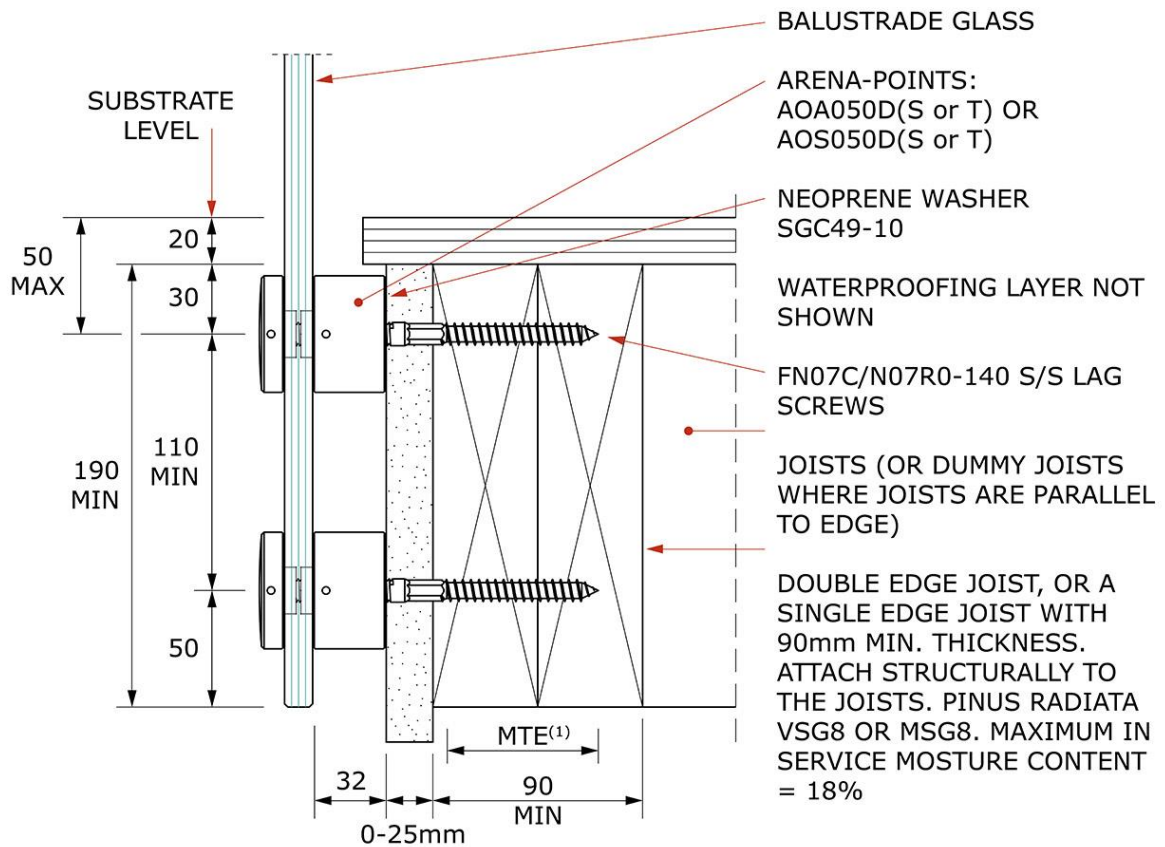


## Dry Timber Top Fix



## Dry Timber CFix, 135mm Joist





## Dry Timber SFix, 90mm Joist