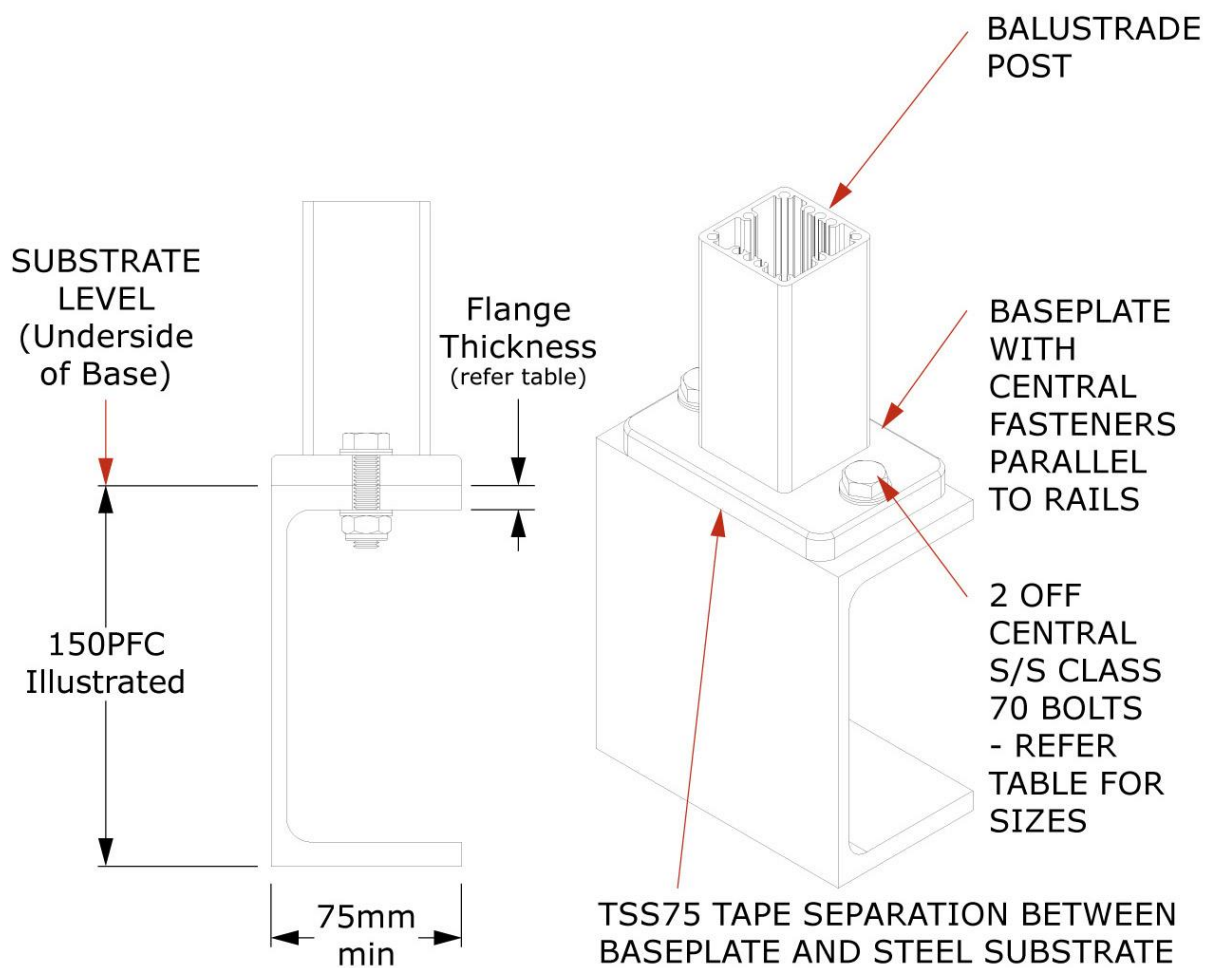
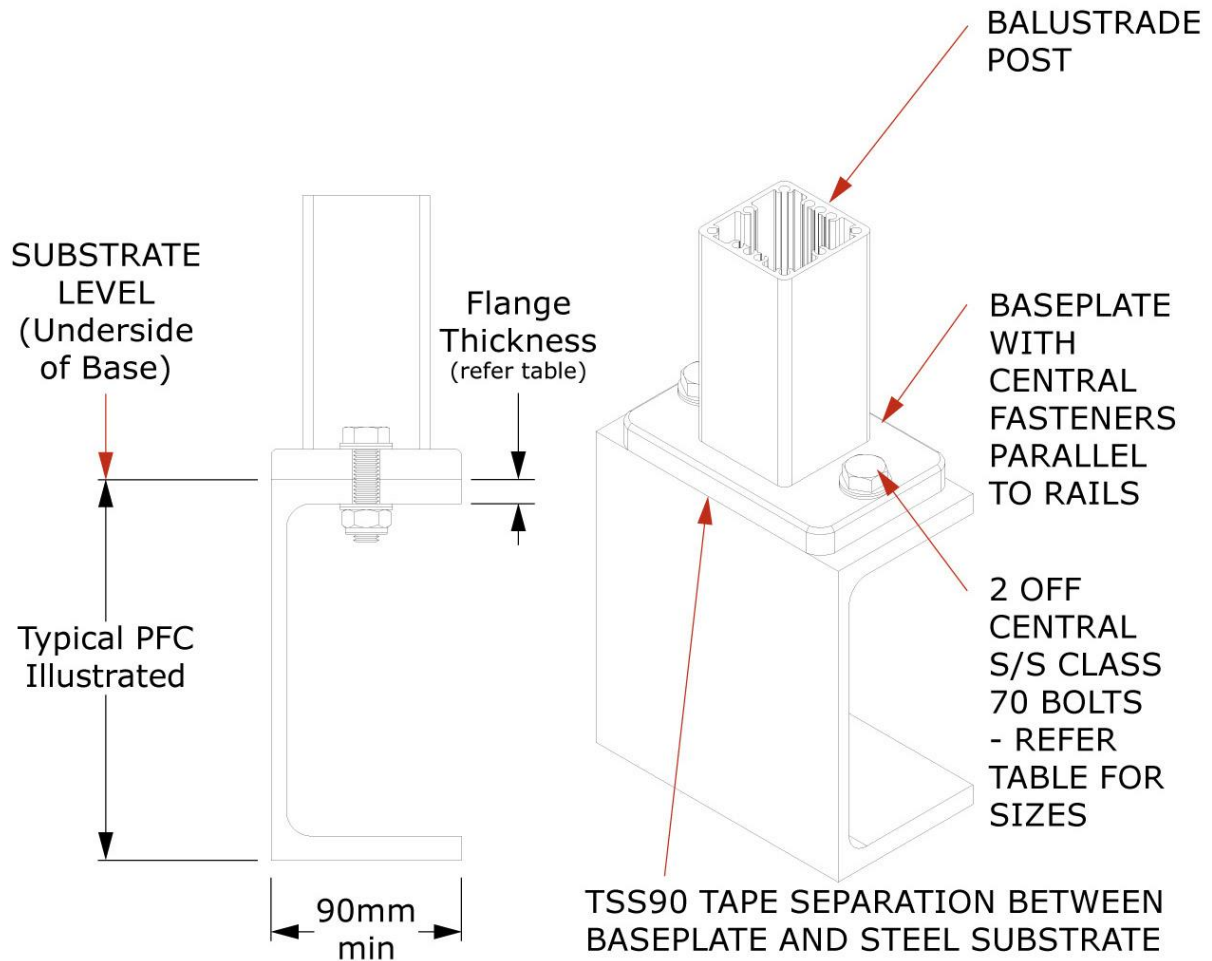


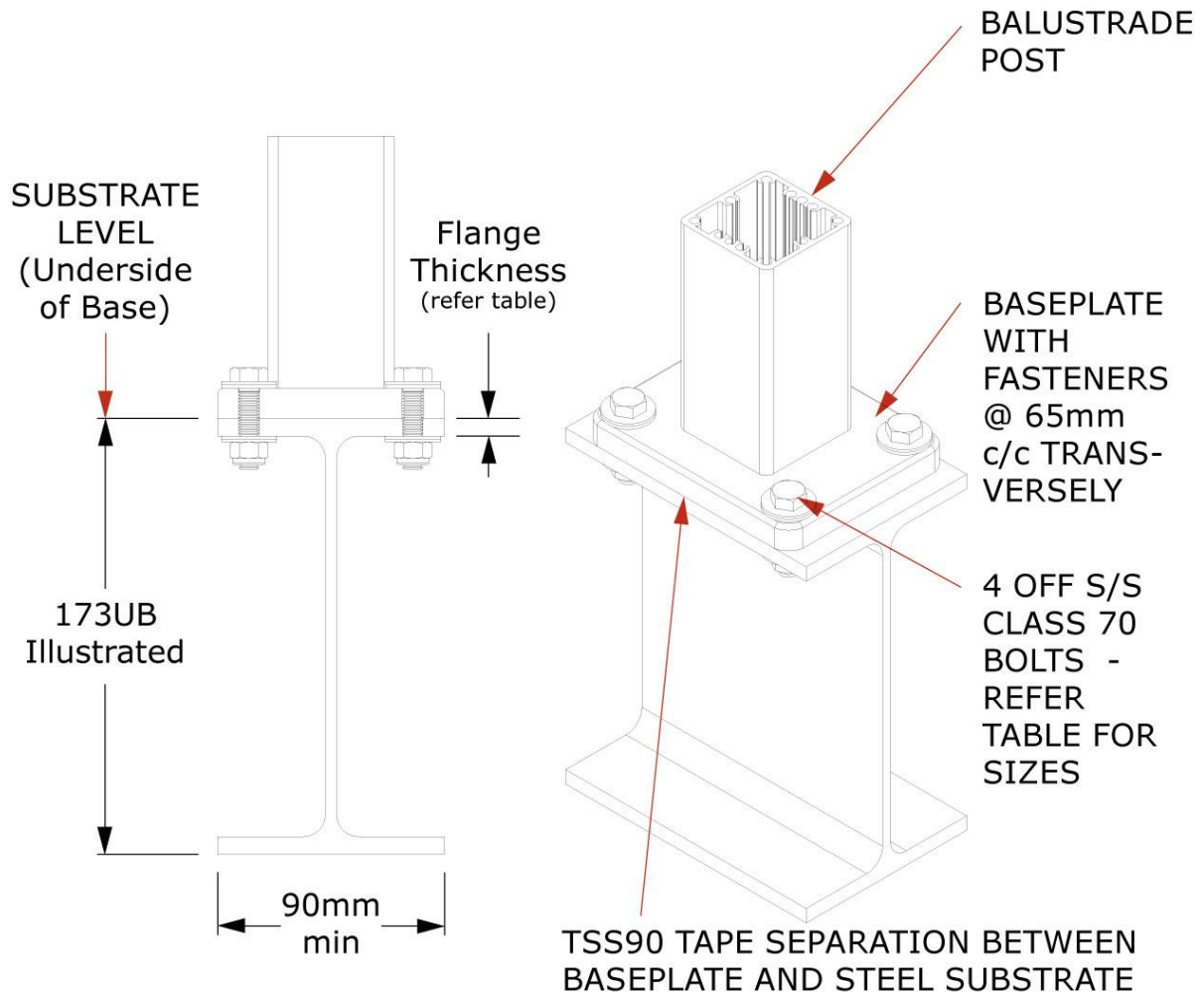
STEEL FIXING METHODS



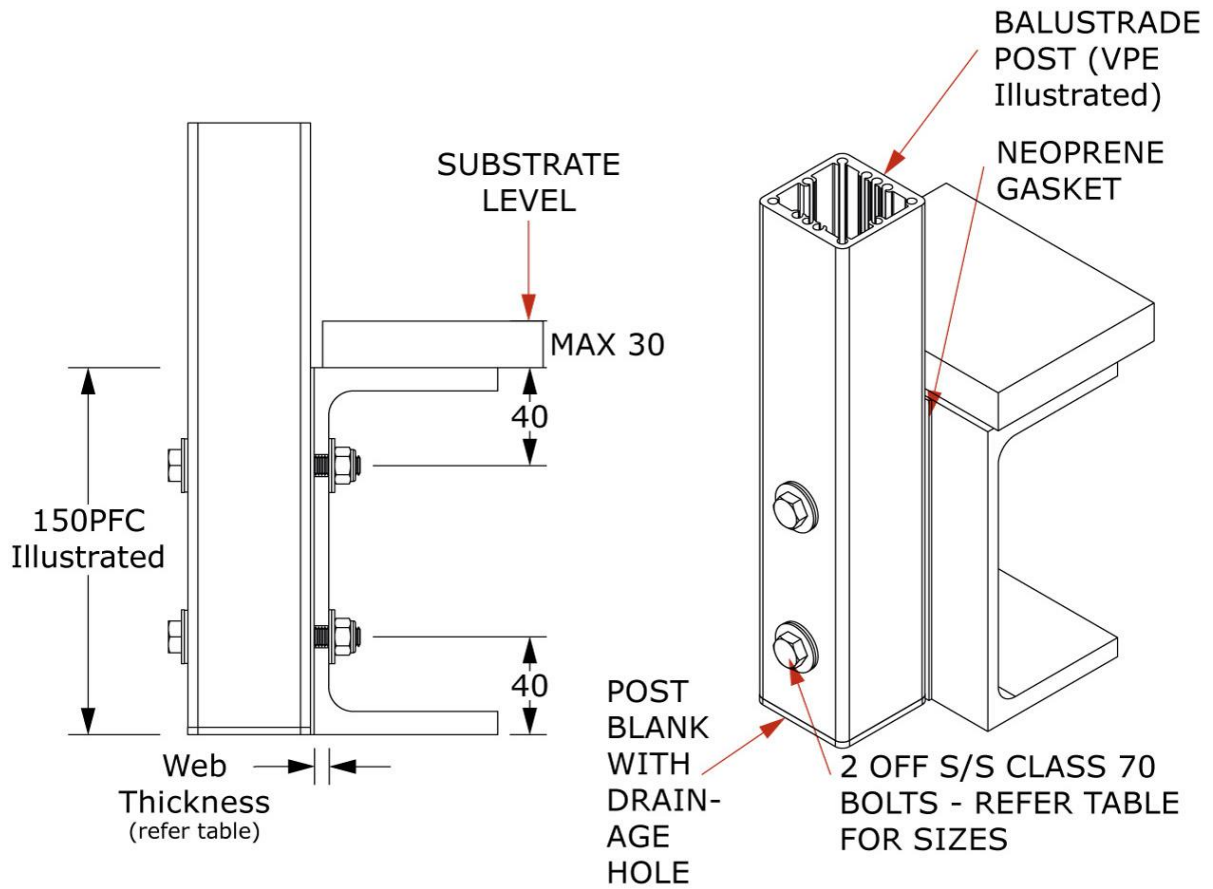
Steel, Top Fix, Inline Bolts, 75mm Base



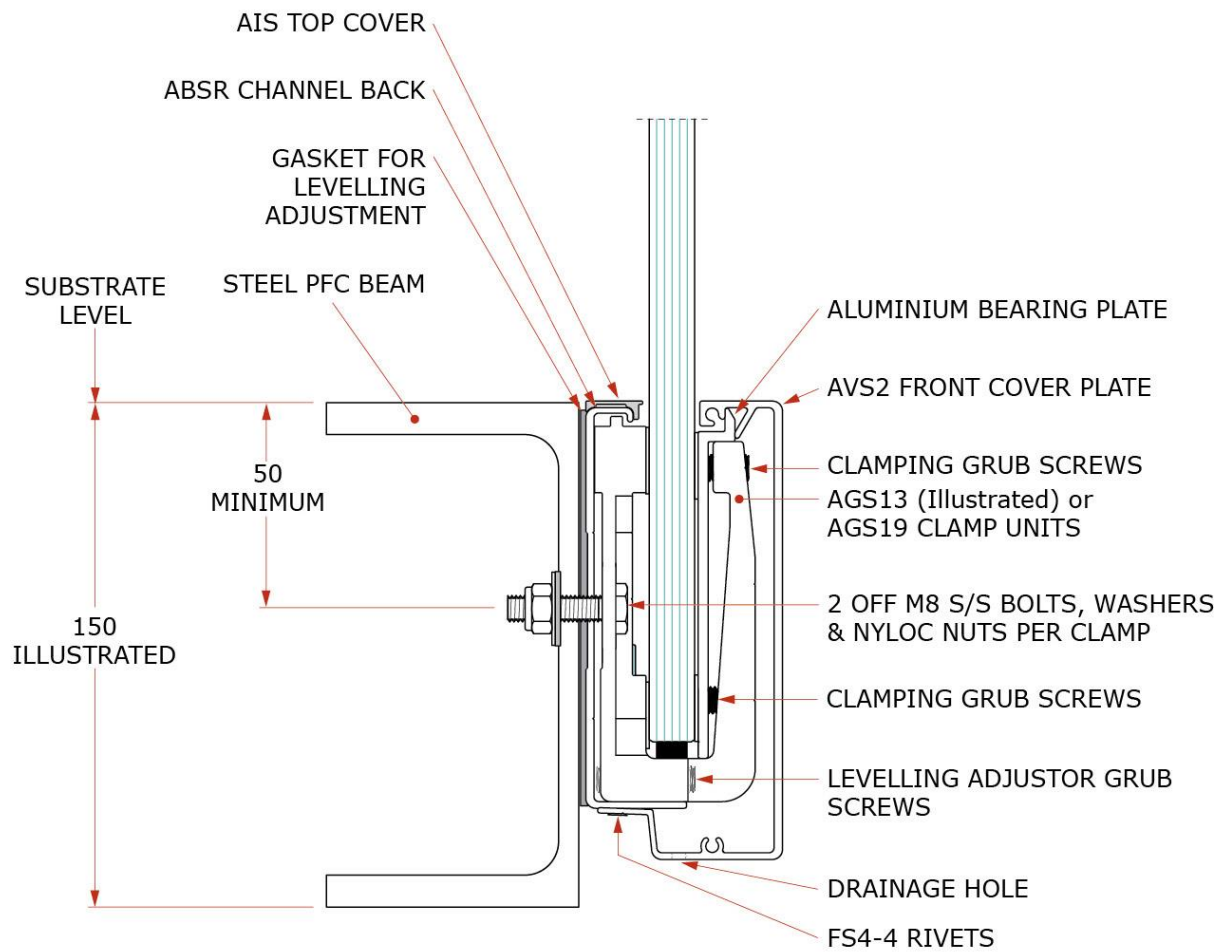
Steel, Top Fix, Inline Bolts, 90mm Base



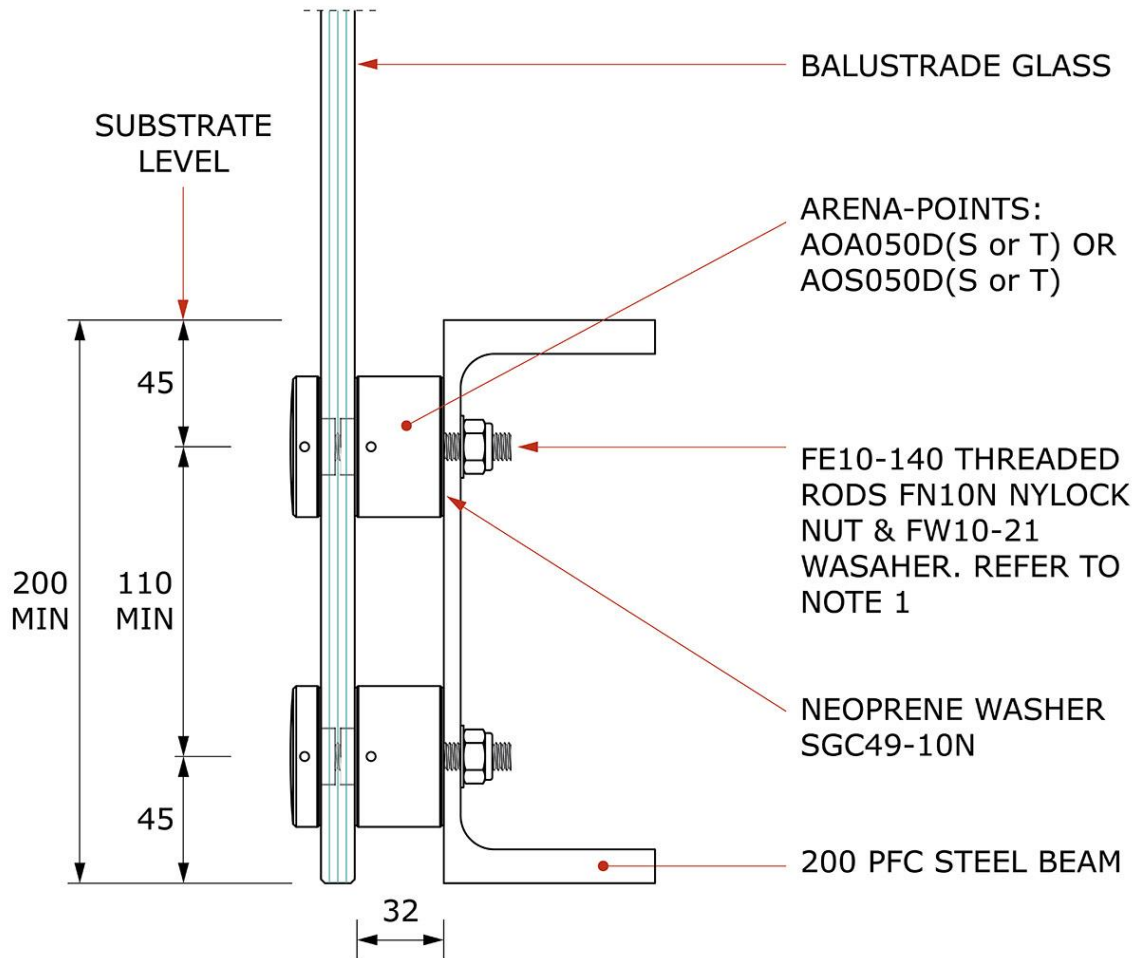
Steel, Top Fix, Bolts, 65mm-CRS



Steel, Side Fix, Bolts



Steel PFC, CFix, Bolts



Steel, SFix, Bolts