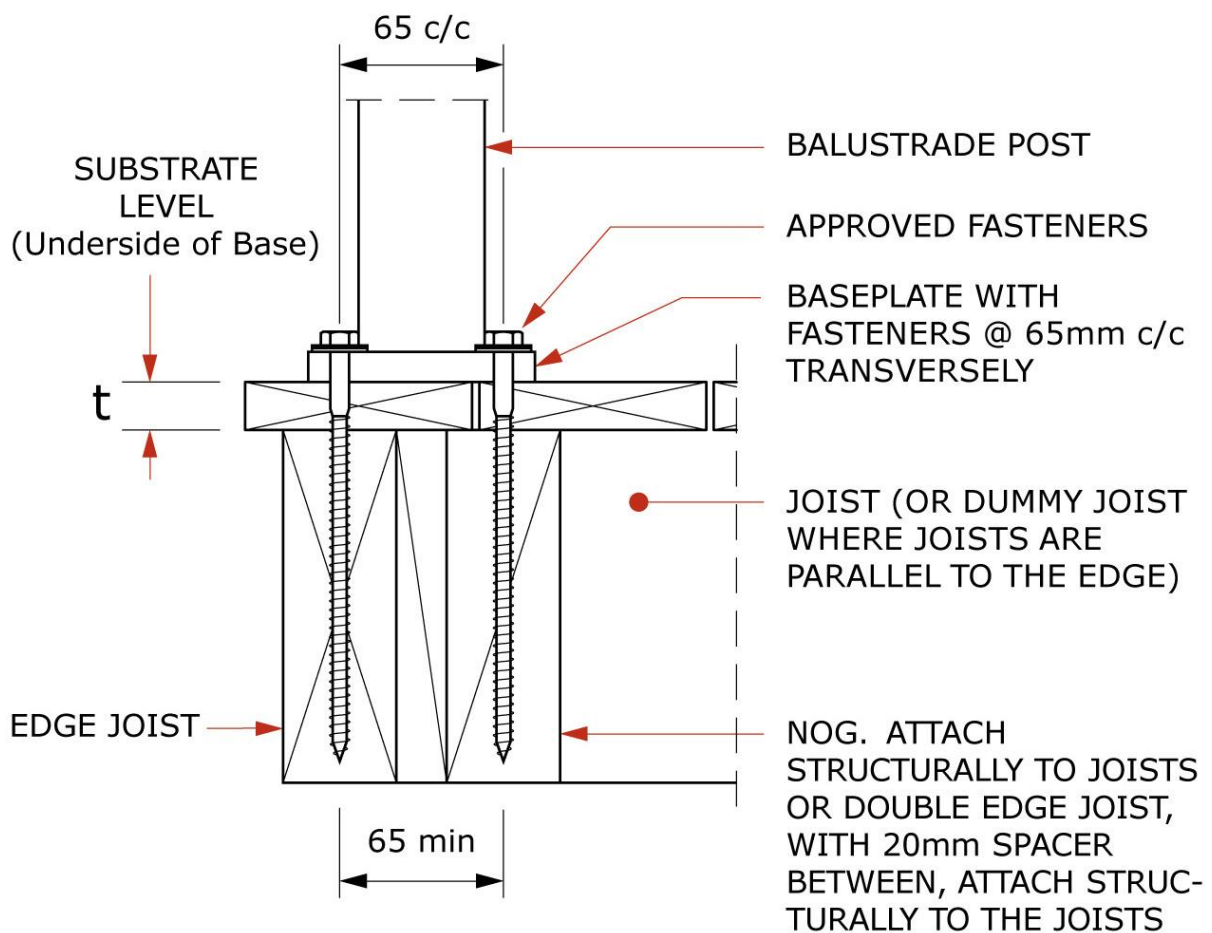
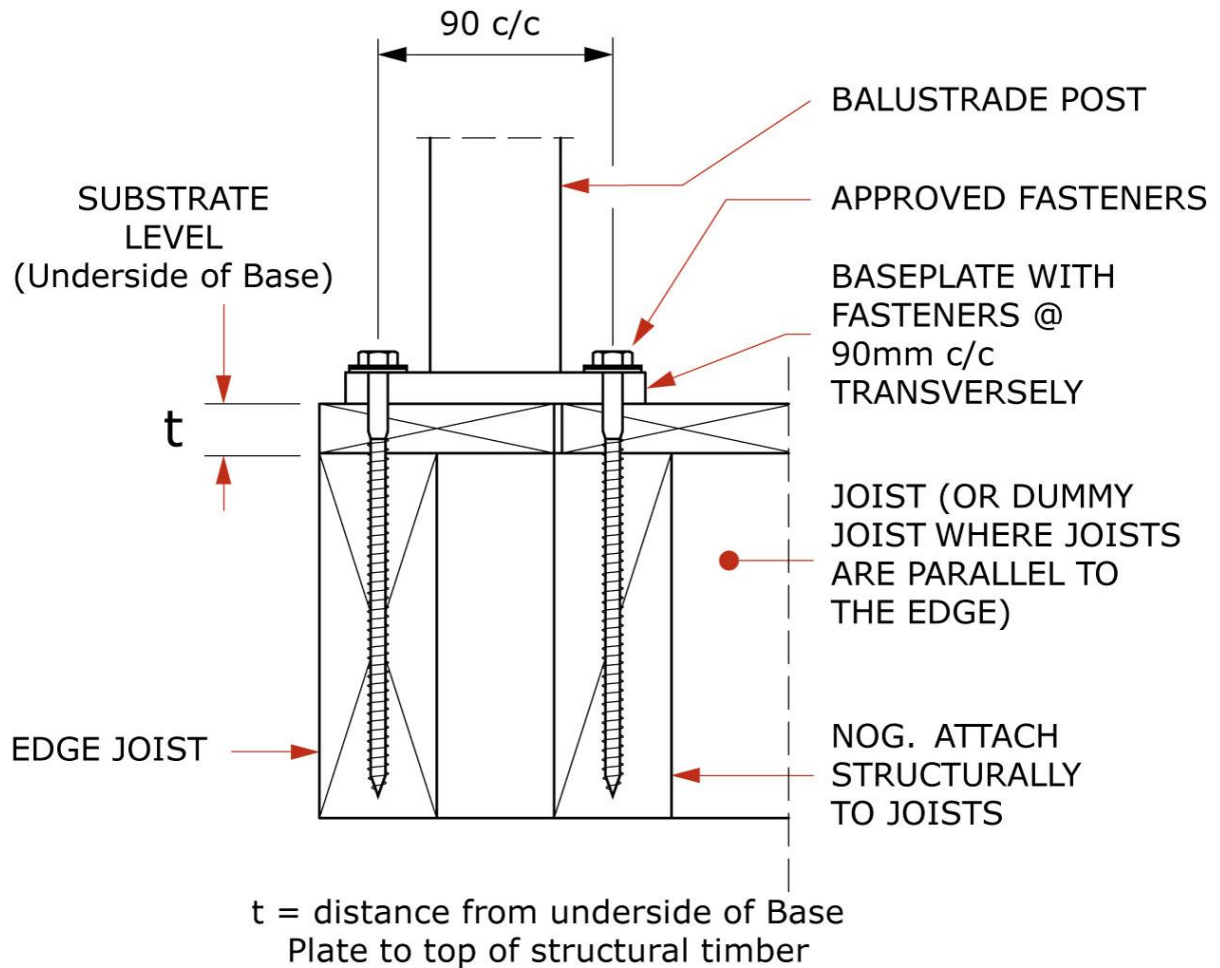


WET TIMBER FIXING METHODS

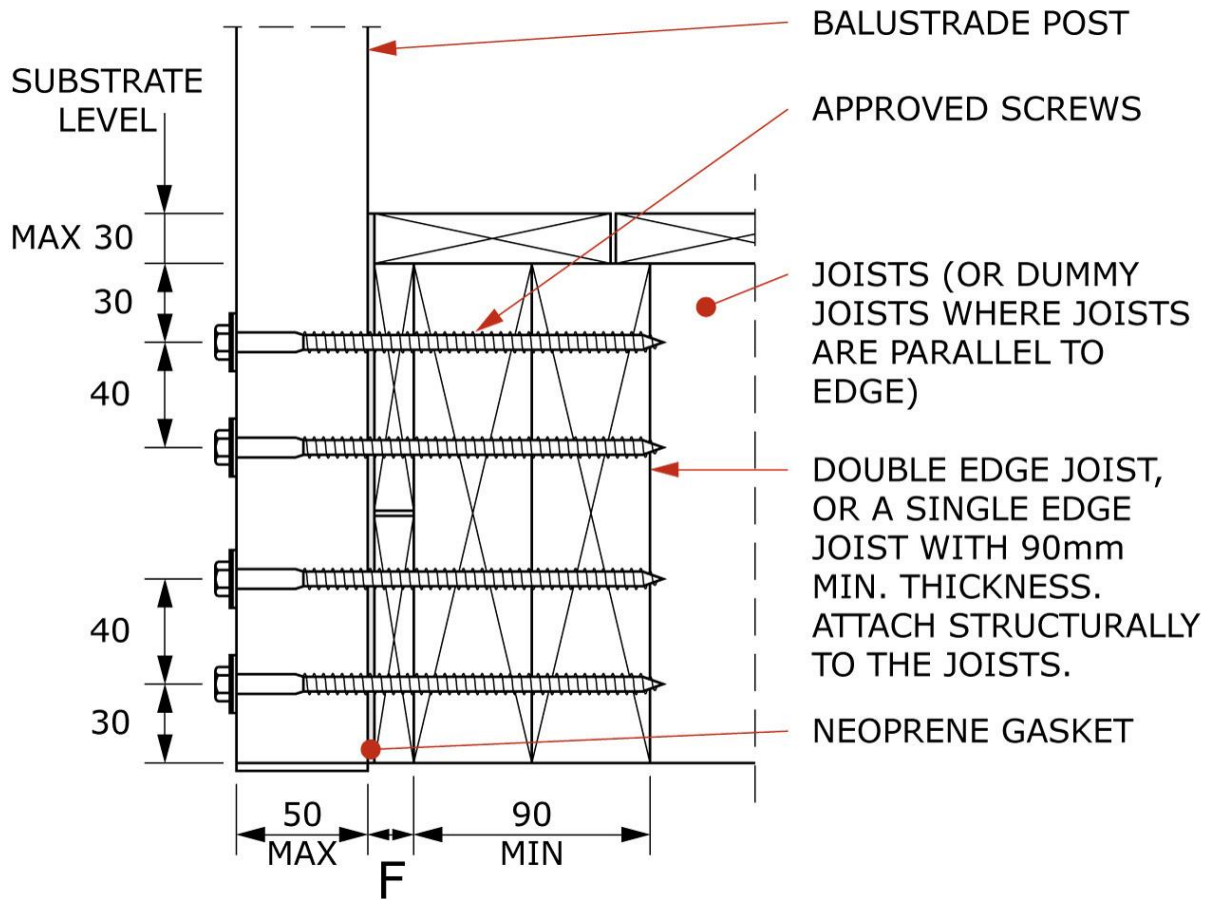


t = distance from underside of Base Plate to top of structural timber

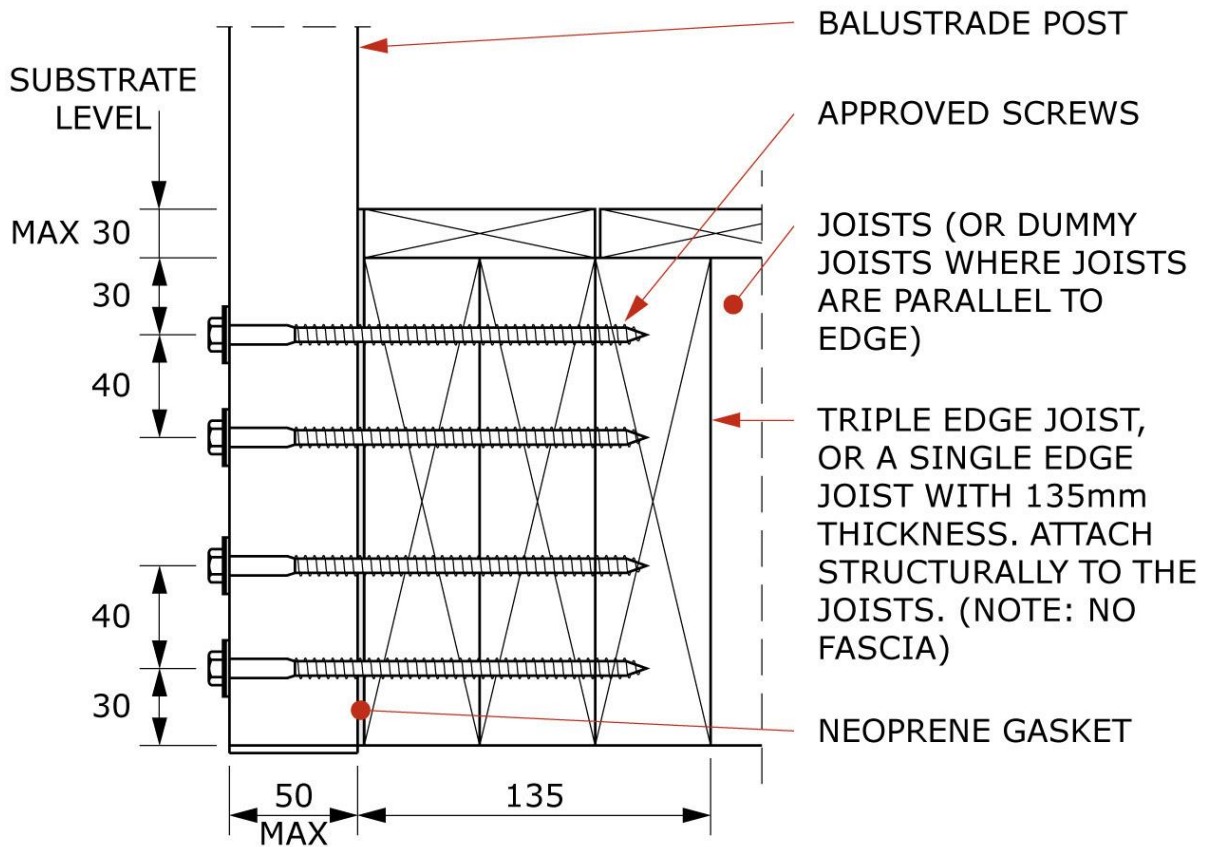
WetTimber, Top Fix, 65mm-CRS



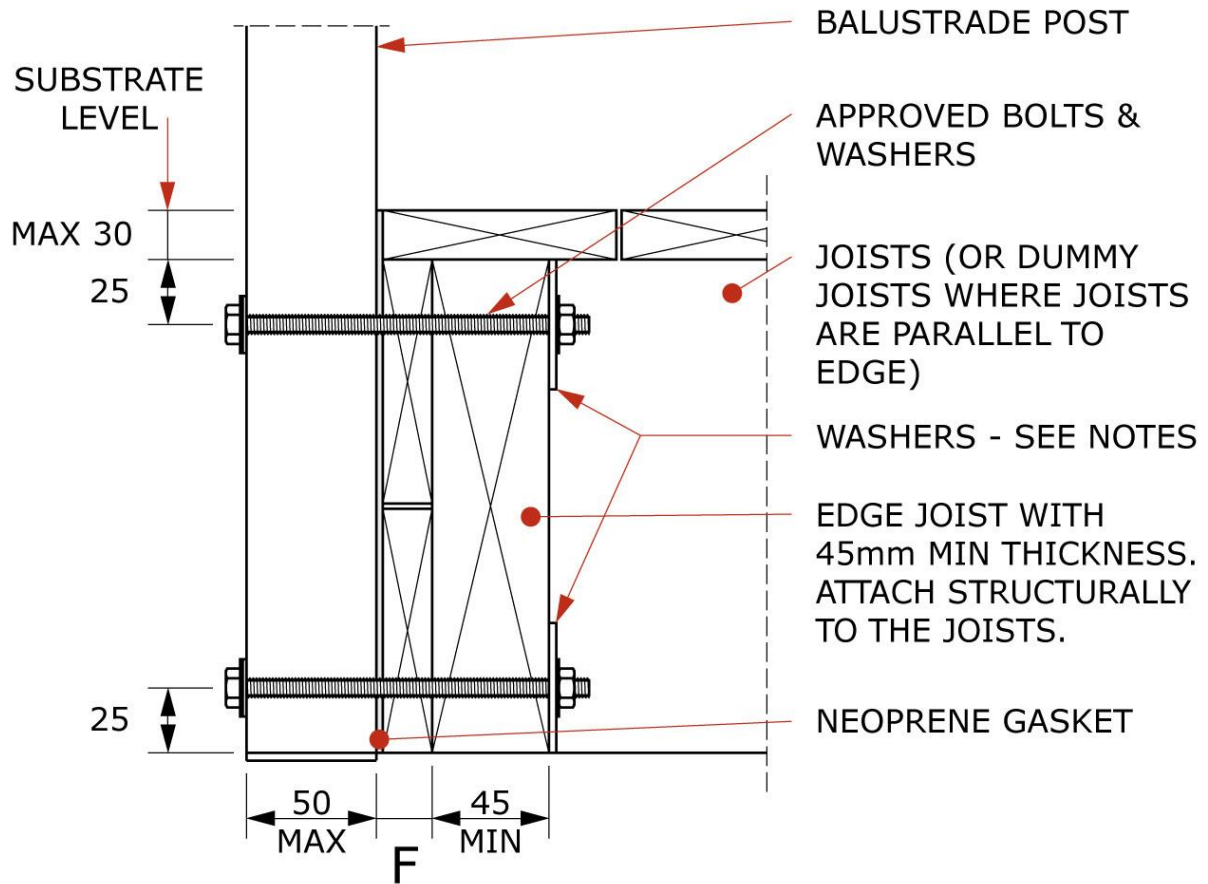
Wet Timber, Top Fix, 90mm-CRS



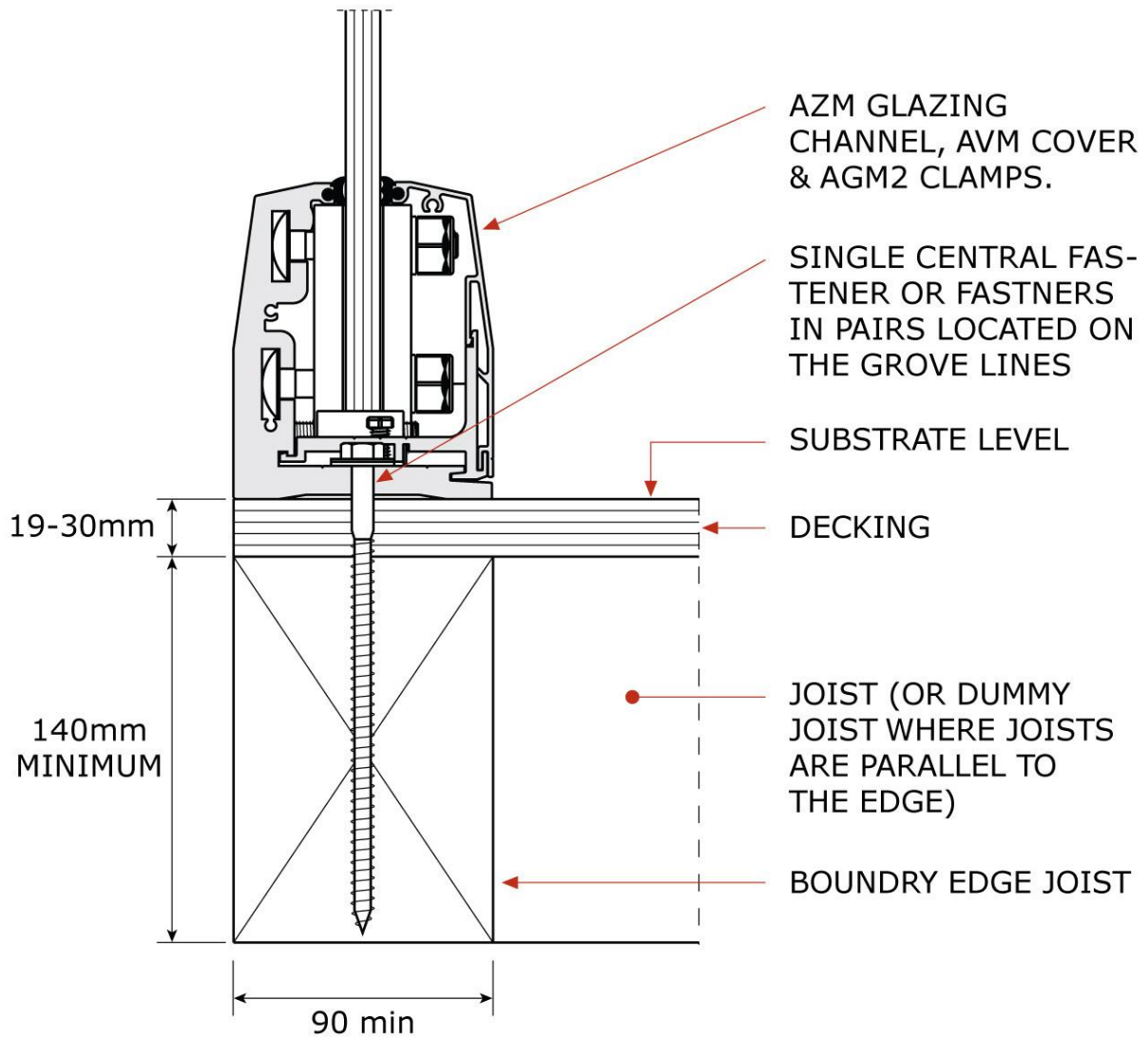
Wet Timber, Side Fix, 90mm-Edge Joist



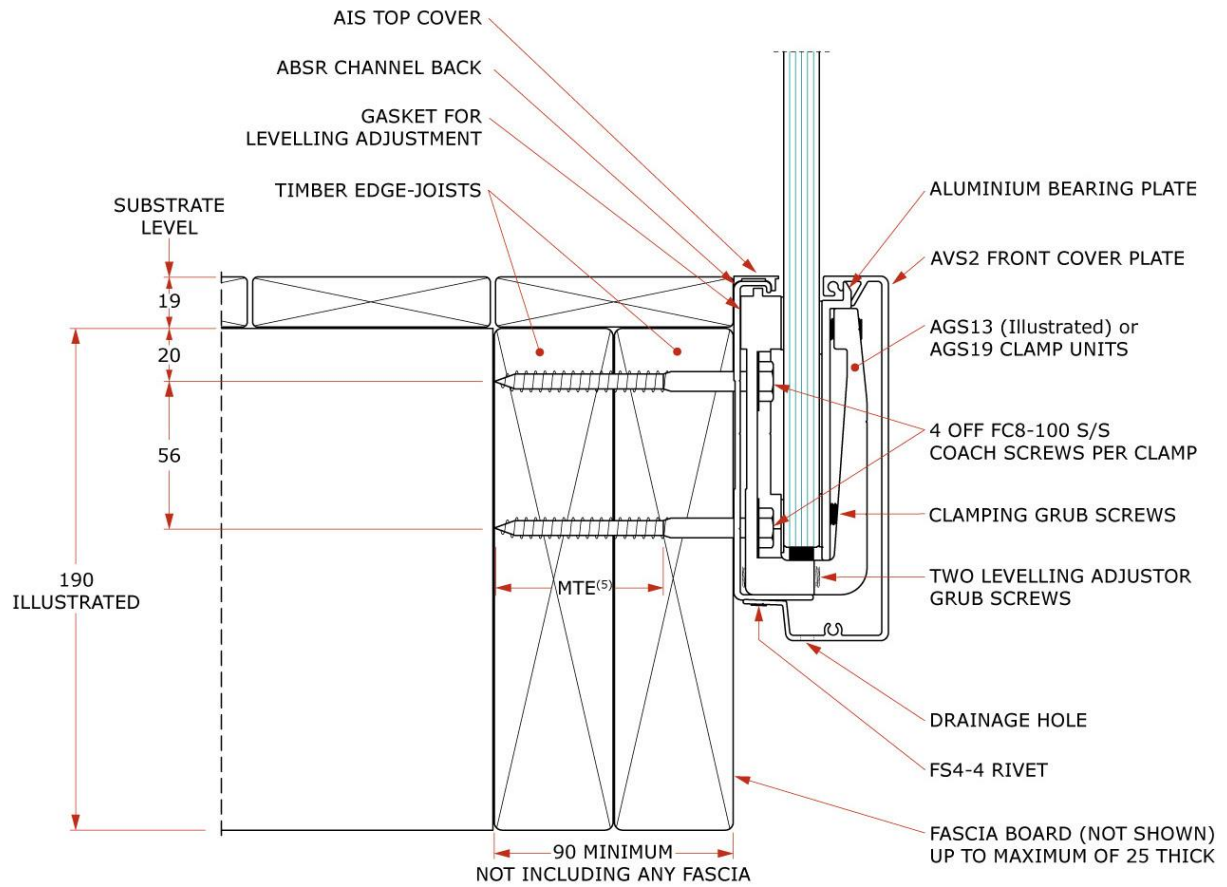
Wet Timber, Side Fix, 135mm-Edge Joist



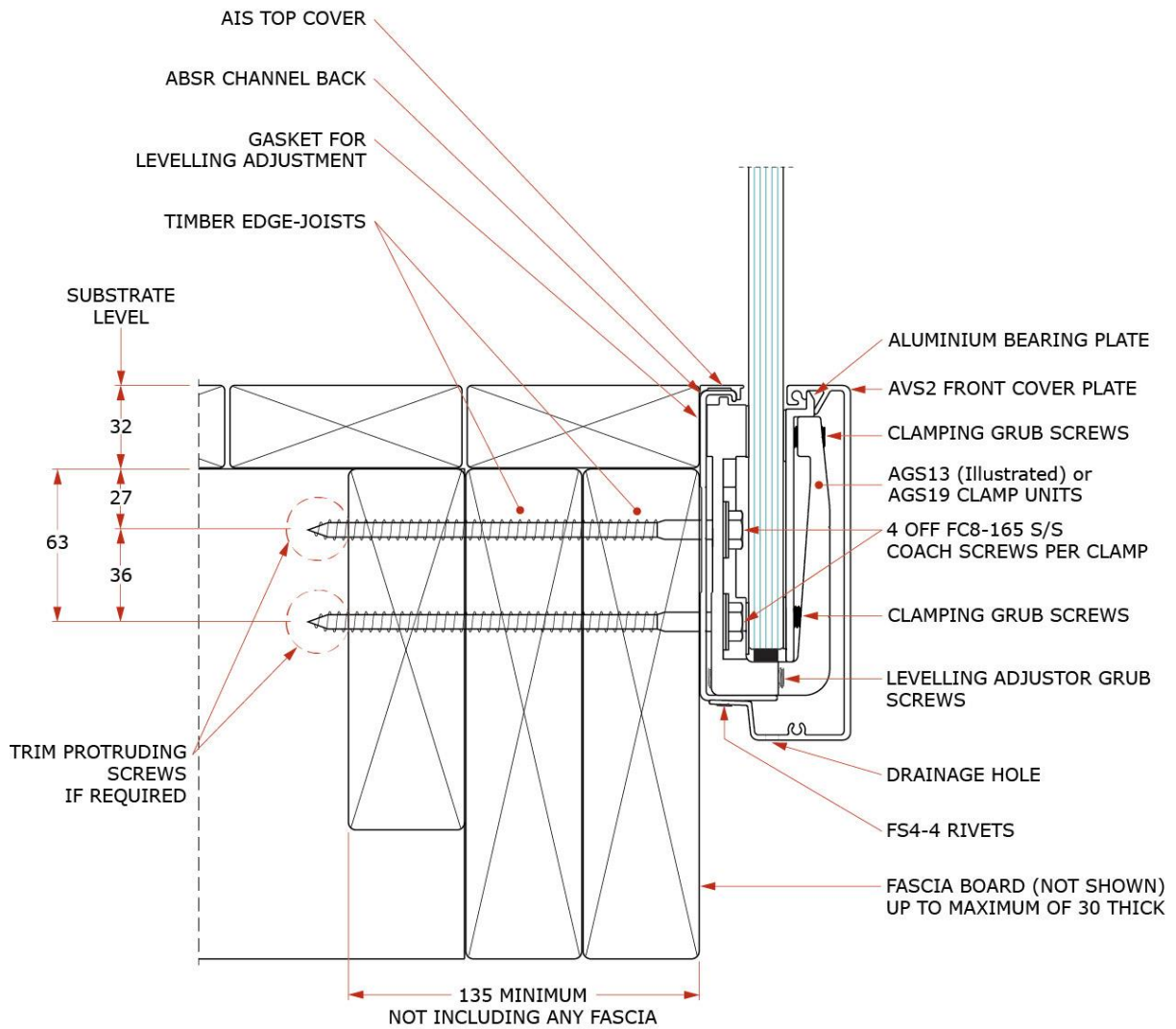
Wet Timber, Side Fix, Bolts



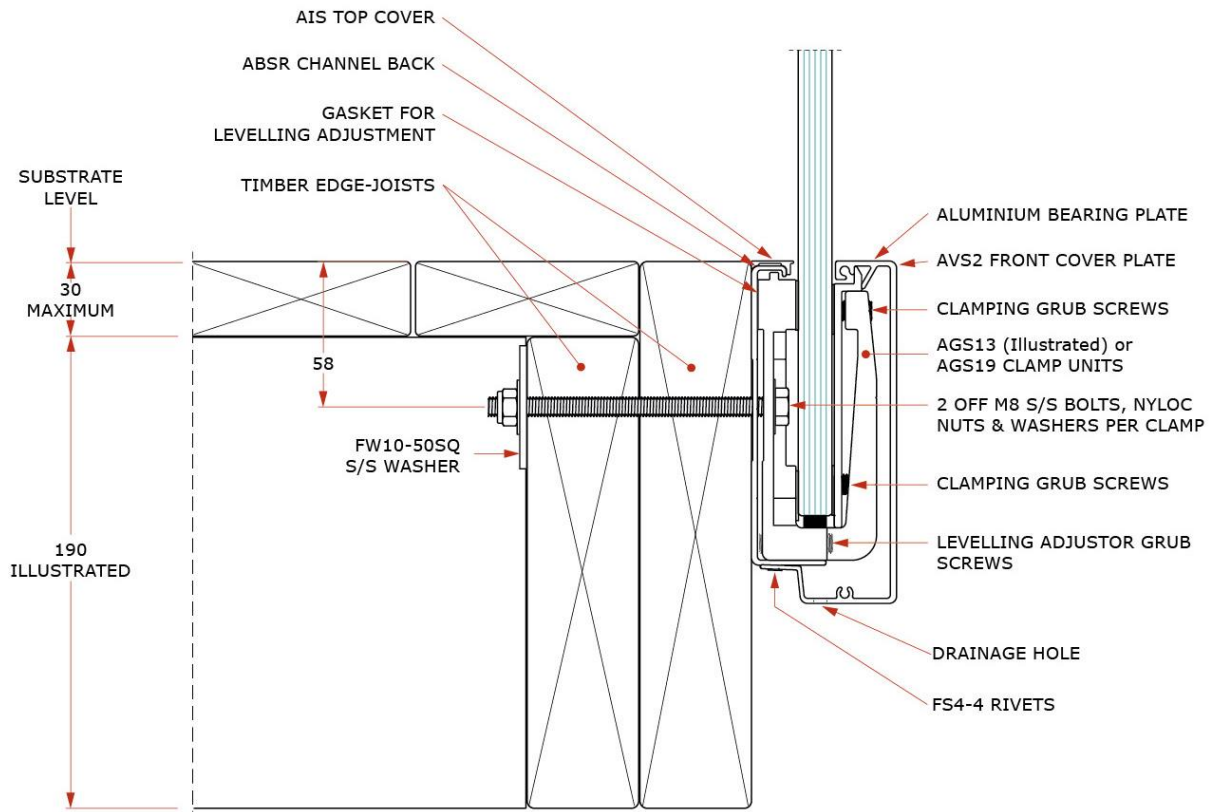
Wet Timber, Top Fix



Wet Timber, 56mm-CRS, 90mm Joist



Wet Timber, 36mm-CRS, 135mm Joist



Wet Timber, CFix, Bolts